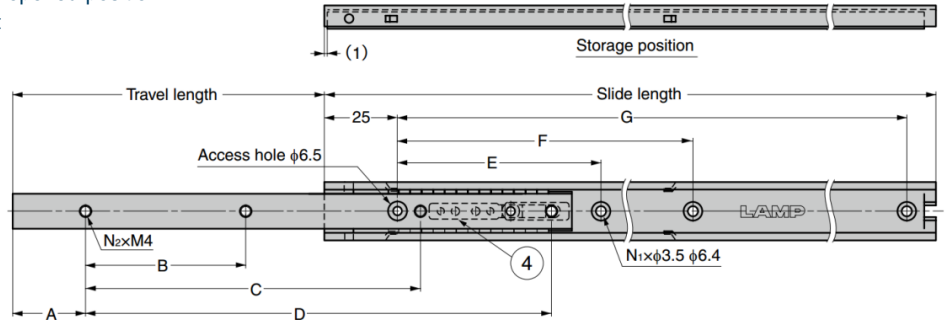
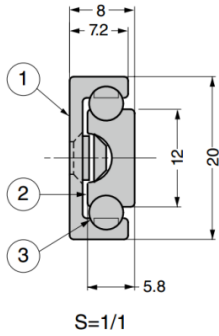


GAR2-K 3/4 Extension Slide

Max load 13kg · Holds opened

Features

- 3/4 extension (2 members)
- Drawer can be held in fully opened position
- Small size and light weight



No.	Part Name	Material	Finish
①	Outer Member	Aluminium Alloy	Anodised Silver
②	Inner Member		
③	Balls	Steel (SWCH)	-
④	Detent Catch	Stainless Steel (SUS304)	-

Sold in pieces

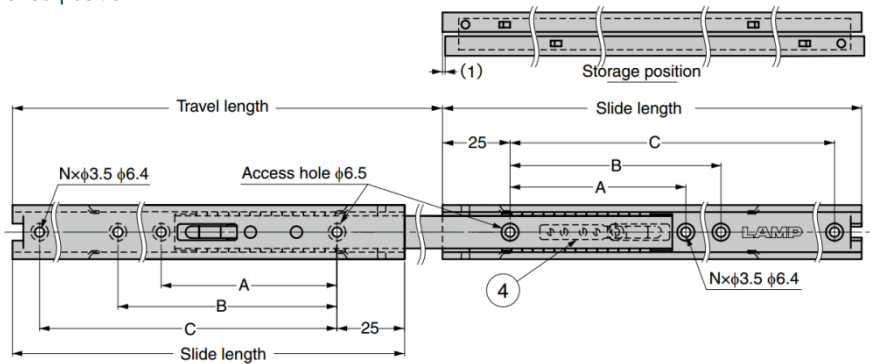
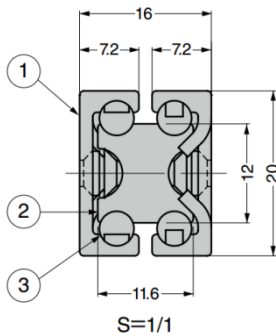
Part No.	Slide Length	Travel Length	A	B	C	D	E	F	G	N ₁	N ₂	Load Capacity (pair)	
GAR2-K200	200	110	25	60	160	-	150	-	-	2	3	125 N	12.7 kg
GAR2-K300	300	170		100	230			250		3	3	110 N	11.2 kg
GAR2-K400	400	230	45	150	270	330	130	280	350	4	4	95 N	9.7 kg
GAR2-K500	500	290		190	340	430			450			85 N	8.7 kg

GAR3-K Full Extension Slide

Max load 11kg · Holds opened

Features

- Full extension (3 members)
- Drawer can be held in fully opened position
- Small size and light weight



No.	Part Name	Material	Finish
①	Outer Member	Aluminium Alloy	Anodised Silver
②	Inner Member		
③	Balls	Steel (SWCH)	-
④	Detent Catch	Stainless Steel (SUS304)	-

Sold in pieces

Part No.	Slide Length	Travel Length	A	B	C	N	Load Capacity (pair)	
GAR3-K200	200	214	150	-	-	2	105 N	10.7 kg
GAR3-K300	300	314		250		3	100 N	10.2 kg
GAR3-K400	400	414	130		350	4	90 N	9.2 kg
GAR3-K500	500	514		280	450		85 N	8.7 kg